

Front view

Rear view

Side view

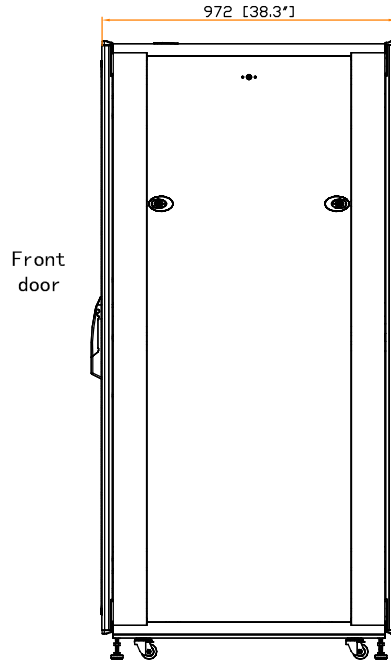
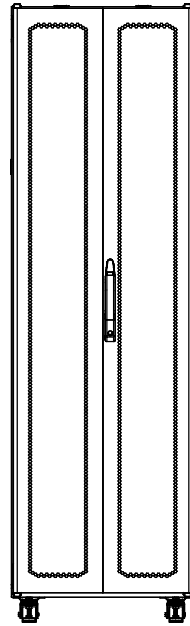
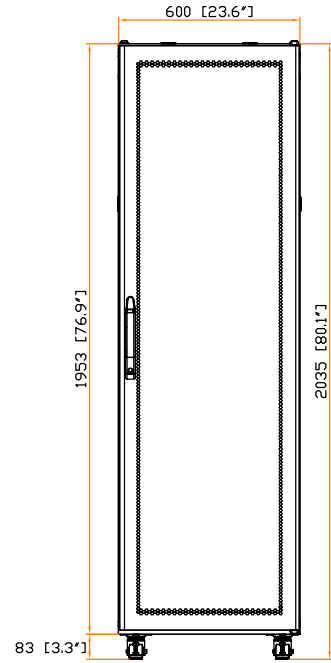
600 [23.6"]

464 [18.3"]

450 [17.7"]

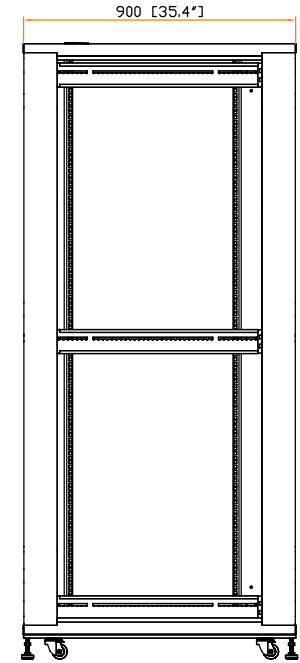
Side view(W/O side panel)

900 [35.4"]



Front view  
(W/O door)

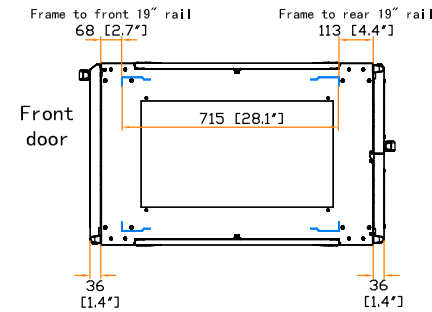
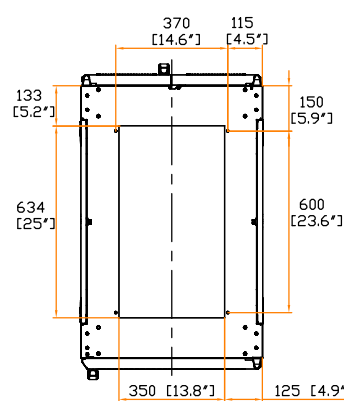
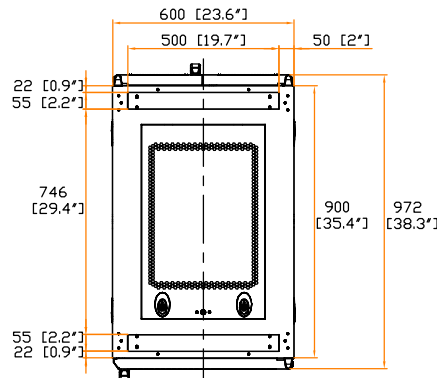
42U



Top view

Bottom view

19" rail position



Front door

Front door

Front door

The company reserves the right to modify product specifications without prior notice and assumes no responsibility for any error which may appear in this publication.

Copyright 2013 Austin Hughes Electronics Ltd. All rights reserved.

Dimension (Overall)	: 600 (W) x 972(D) x 2035 (H) mm / 23.6(W) x38.3(D) x80.1(H) in.
Dimension (Effective)	: 600 (W) x 900(D) x 1953 (H) mm / 23.6 (W) x 35.4(D) x76.9(H) in.
Net Weight	: 102kg / 224.4lb
Color	: Black (RAL-9005) or Grey white (RAL -9002)
Static Loading	: 1000kg /2200 lb
Environmental	: RoHS2 & Reach compliant by SGS

Unit : mm [ in. ]

