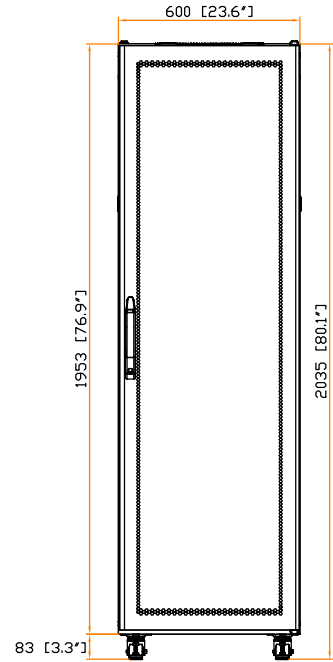
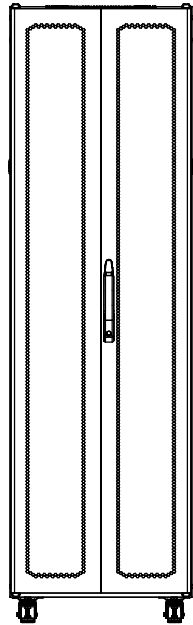


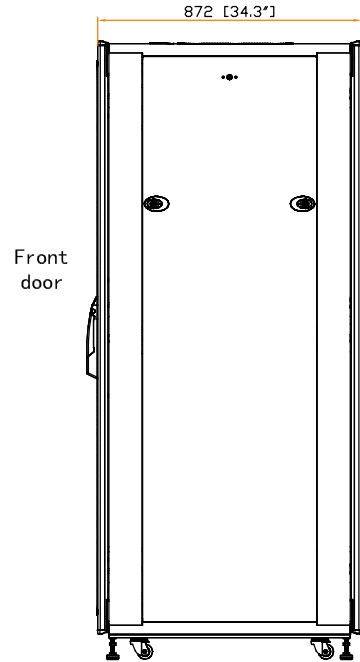
Front view



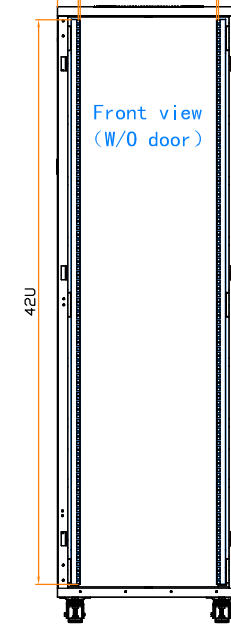
Rear view



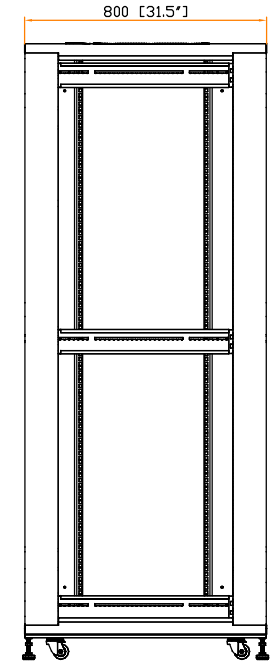
Side view



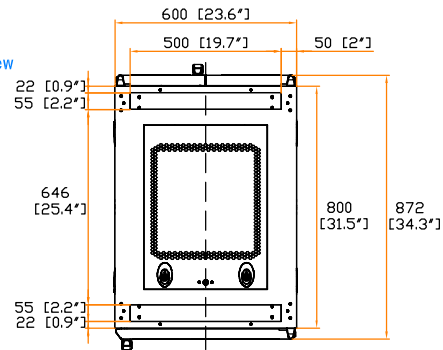
600 [23.6"]  
464 [18.3"]  
450 [17.7"]



Side view(W/O side panel)

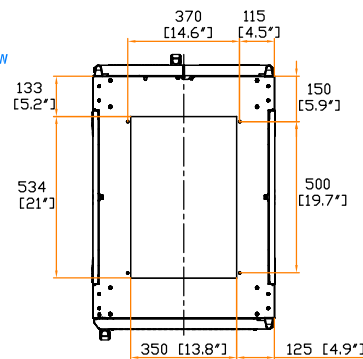


Top view



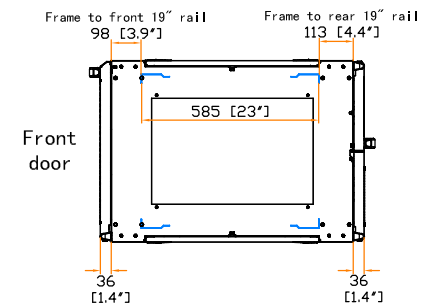
Front door

Bottom view



Front door

19" rail position



The company reserves the right to modify product specifications without prior notice and assumes no responsibility for any error which may appear in this publication.

Copyright 2013 Austin Hughes Electronics Ltd. All rights reserved.

Dimension (Overall)	: 600 (W) x 872(D) x 2035 (H) mm / 23.6(W) x34.3(D) x80.1(H) in.
Dimension (Effective)	: 600 (W) x 800(D) x 1953 (H) mm / 23.6 (W) x 31.5(D) x76.9(H) in.
Net Weight	: 96.5kg / 212.3lb
Color	: Black (RAL-9005) or Grey white (RAL -9002)
Static Loading	: 1000kg /2200 lb
Environmental	: RoHS2 & Reach compliant by SGS

Unit : mm [ in. ]