



GVT-2000 Version: 1

10/100/1000BASE-T to 1000BASE-X SFP Converter

The GVT-2000 media converter is able to convert network signals between copper and fiber-optic based networks. The converter provides a SFP slot for 1000Base-X Gigabit optic module and a 10/100/1000Base-T RJ-45 port, supports full duplex and half duplex switch connectivity and 10Base-T, 100Base-TX and 1000Base-T auto-sensing.

The device features built-in Dip switches for easy converter configuration, which function on the Smart LFP (Link Fault Pass-through), allowing the converter to monitor both the fiber and copper ports for signal loss, as well as cut through and smart pass through mode.

The GVT-2000 is able to operate in temperatures from -10° up to 55° Celsius. The converter can be used as a standalone unit or as a slide-in module to the CHV-2000 19" converter rack, which can accommodate up to 14 units for use in a central wiring closet.



1. 1000Mbps SFP Slot
2. LED Indicators
3. 10/100/1000Mbps RJ-45 Port



4. DC Power Jack
5. Dip Switch

Key Features

- Transfers data from 10/100/1000Base-T copper to fiber interfaces
- SFP slot supports pluggable Gigabit optic modules that enabling you to choose from a variety of transceiver
- 9K jumbo frames to increase data transfer rates
- Built-in LFP (Link Fault Pass-through) Technology
- IEEE 802.3x Flow Control protects against lost packets for reliable data transmission
- Dip switches for customized configuration
- Supports low-time lag transmission



- Supports the transmission of extra-long packets up to 1.6KB
- -10°C ~ 55°C operating temperature range

Works Well With



CVH-2000
14-Slot Media Converter Chassis



GVT-2001
10/100/1000BASE-T to 1000BASE-SX MMF SC Converter, 550m

Specifications

System Specifications

Standards & Protocols:

IEEE 802.3 10-BASE-T, Ethernet
IEEE 802.3u 100-BASE-TX, Fast Ethernet
IEEE 802.3ab 1000BASE-T, Gigabit Ethernet
IEEE 802.3x Flow Control (full-duplex flow control)
IEEE802.3z 1000Base-SX/LX,

Connectors and Cabling:

Fiber SFP slot; RJ-45 Port CAT-5/5e Twisted Pair
cable Auto MDI/MDI-X (Max to 100m) and Auto-Negotiation

Wavelength(nm):

depend on SFP module

Indicator:

PWR,TX (FDX, 100, 1000, Link/Act), FX Link/Act

Transmission Method:

Store and forward (Default)

Power:

DC 5V/2A

Features

General:

DIP Switch 1: LFP function
DIP Switch 2 and 3 performance 4 types work mode
DIP Switch 2 and 3 is OFF = Store and forward
DIP Switch 2 is OFF, 3 is ON = Cut through mode
DIP Switch 2 is ON, 3 is OFF = Smart pass through
DIP Switch 2 and 3 is ON = Pass through mode

Performance

Operating Distance:

Depend on SFP Module

Environment

Temperature (°C):
 Storage: -40 ~75 °C
 Operating: -10 ~ 55 °C
 Humidity (Non-condensing):
 5 ~ 90 %

Physical Specifications

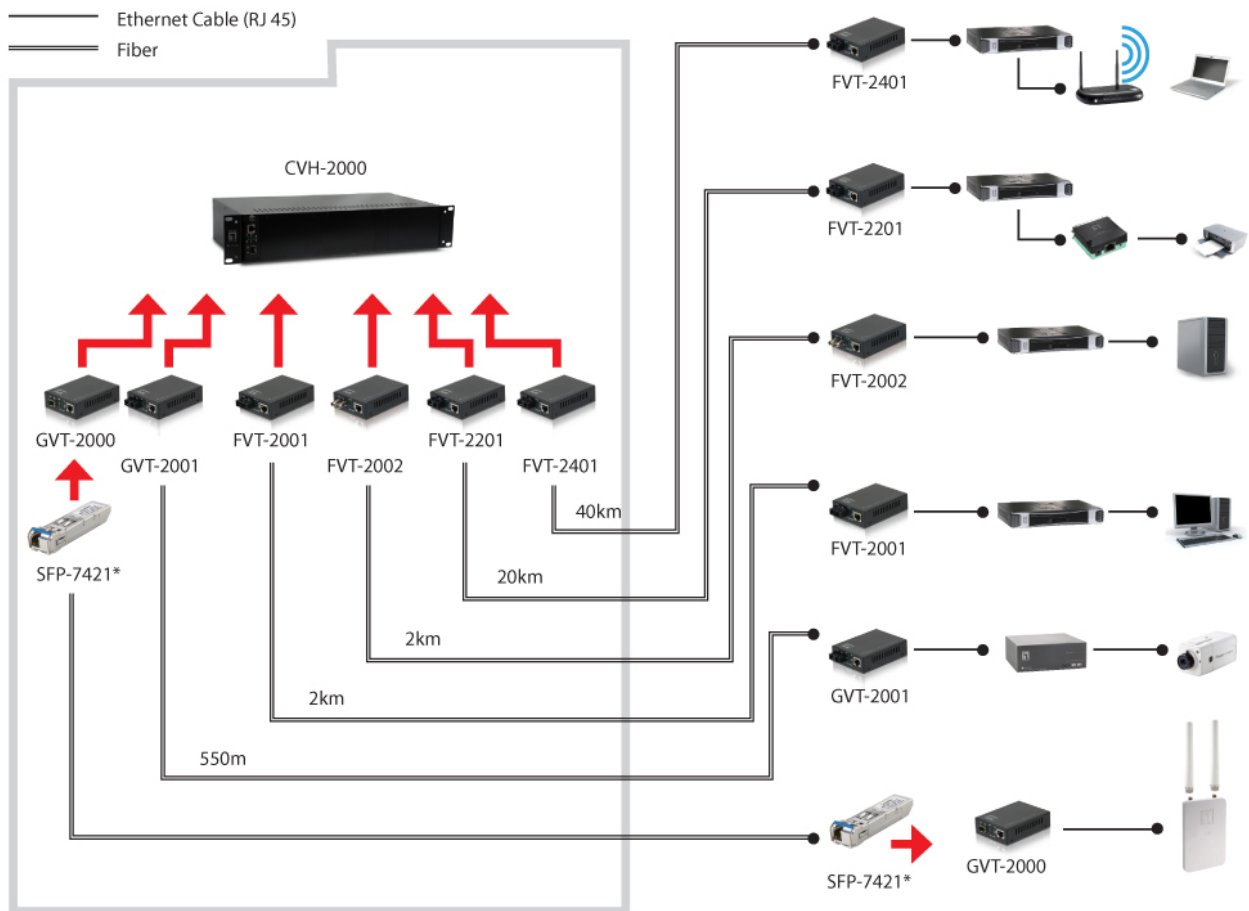
Dimensions (W x D x H mm):
 71 x 94 x 26 mm
 Weight (g):
 420 g

Others

Approval and Compliance:
 CE, FCC
 Deployment:
 Desk, chassis mounted

Diagram

Dimension Diagram



*In above example diagram, converter modules at local and remote ends should be paired for proper connectivity, and the distance mainly depends on cable and transceiver selection accordingly.

Order Information

GVT-2000

Package Contents

GVT-2000
Power Adapter
Quick Installation Guide

Optional Accessory



CVH-2000
14-Slot Media Converter Chassis

No liability or responsibility for any errors or omissions in the content.
Specifications are subject to change without notice.
All mentioned brand names are registered trademarks and property of their owners.
Copyright © Digital Data Communications GmbH, Germany. All Rights Reserved.