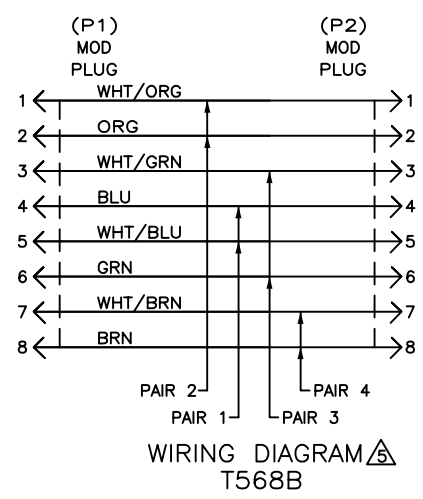
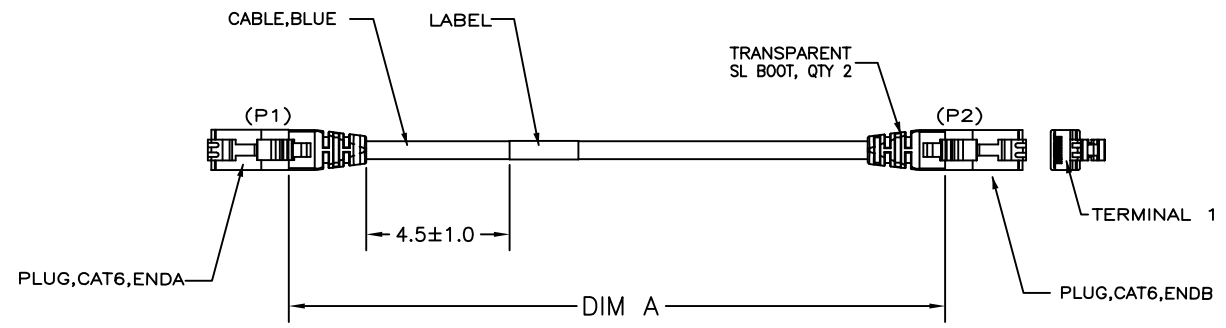


THIS DRAWING IS UNPUBLISHED. RELEASED FOR PUBLICATION  
 © COPYRIGHT - By - ALL RIGHTS RESERVED.

LOC	DIST	REVISIONS					
ES	00	P	LTR	DESCRIPTION	DATE	DRN	APRD
		E		ECR-15-007977	27MAY2015	RL	WF

- ONE CABLE ASSEMBLY PACKAGED IN A POLY BAG.
- CABLE: UNSHIELDED, 24AWG, 4 TWISTED PAIRS 7/32 STRANDED CONDUCTORS, 100 OHMS.
- DIMENSIONS ARE MAXIMUM UNLESS OTHERWISE SPECIFIED.
- DESIGNATIONS IN PARENTHESES ( ) ARE FOR REFERENCE ONLY.
- WIRES TO BE LACED IN MOD PLUG PER COLOR CODE IN WIRING DIAGRAM. FINAL ASSEMBLY WILL BE T568B.
- USE SL BOOT 1859146-2 AND CM9614-000 LABEL FOR UL APPROVED CABLE ASSEMBLIES.



9-1859247-9	1200-1206	100
9-1859247-8	1680-1686	140
9-1859247-7	1980-1986	165
9-1859247-6	1560-1566	130
9-1859247-5	1140-1146	95
9-1859247-4	1380-1386	115
9-1859247-0	1080-1086	90
8-1859247-5	1020-1026	85
8-1859247-0	960-966	80
7-1859247-5	900-906	75
7-1859247-0	840-846	70
6-1859247-5	780-786	65
6-1859247-0	720-726	60
5-1859247-5	660-666	55
5-1859247-0	600-606	50
4-1859247-5	540-546	45
4-1859247-0	480-486	40
3-1859247-5	420-426	35
3-1859247-0	360-366	30
2-1859247-5	300-304	25
2-1859247-0	240-244	20
1-1859247-7	204-208	17
1-1859247-6	192-196	16
1-1859247-5	180-184	15
1-1859247-2	144-148	12
1-1859247-0	120-124	10
1859247-9	108-110	9
1859247-8	96-98	8
1859247-7	84-86	7
1859247-6	72-74	6
1859247-5	60-62	5
1859247-4	48-50	4
1859247-3	36-38	3
1859247-2	24-26	2
1859247-1	12-14	1
PART NO	DIM A	FEET, REF

THIS DRAWING IS A CONTROLLED DOCUMENT.

DRN	RLI	27MAY2015
CHK	F.ZHANG	27MAY2015
APPD	W.FAN	27MAY2015

**STE** TE Connectivity

CABLE ASSY, CAT6, MOD PLUG, 8 POSN, BLUE, TRANSPARENT SL BOOT

DIMENSIONS:	TOLERANCES UNLESS OTHERWISE SPECIFIED:	SIZE	CAGE CODE	DRAWING NO	RESTRICTED TO
INCHES	0 PLC ± -	A2	00779	1859247	-
	1 PLC ± -				
	2 PLC ± -				
	3 PLC ± -				
	4 PLC ± -				
	ANGLES ± -				
MATERIAL	FINISH	WEIGHT			
-	-	-			

CUSTOMER DRAWING SCALE - SHEET 1 of 1 REV E