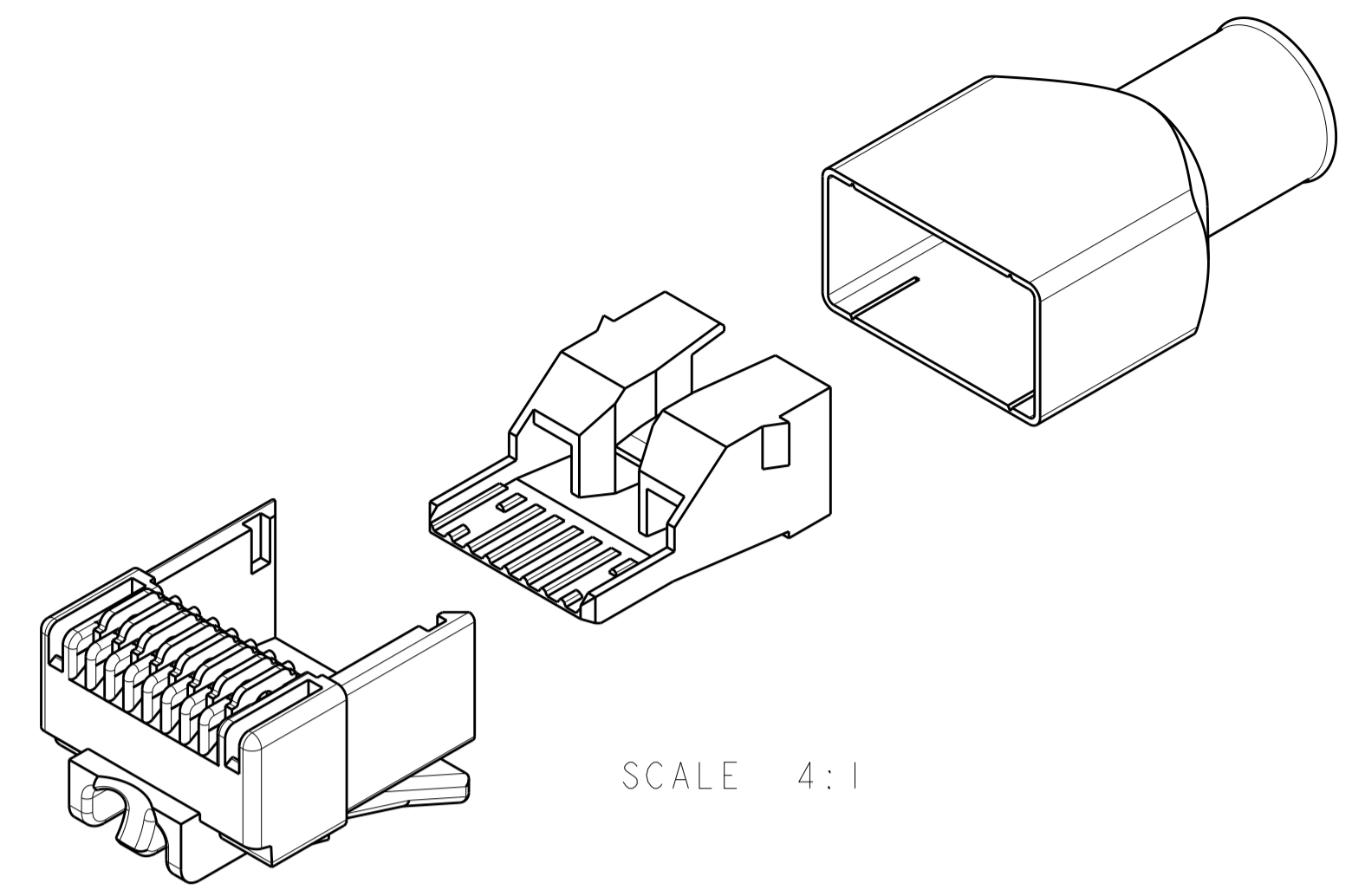


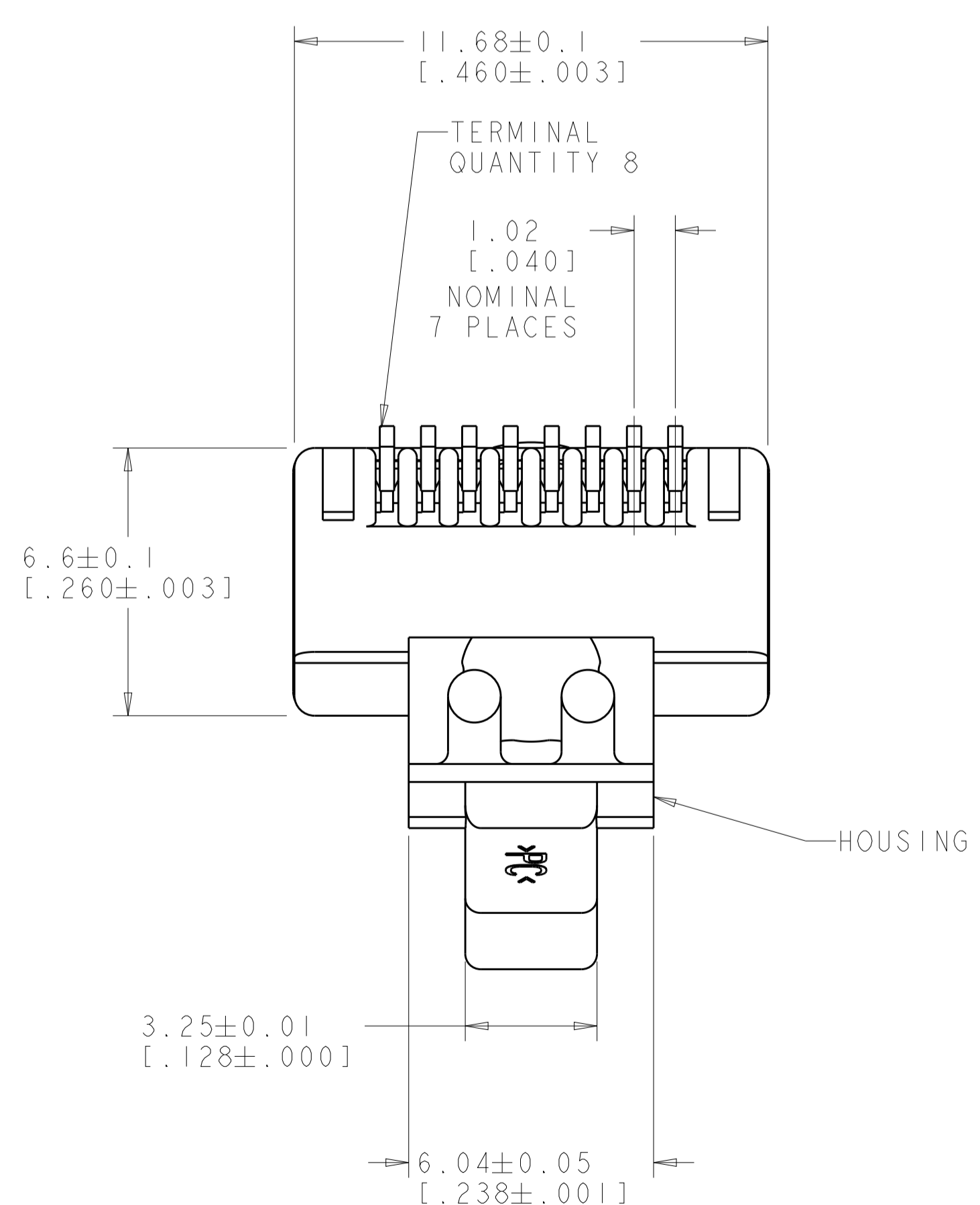
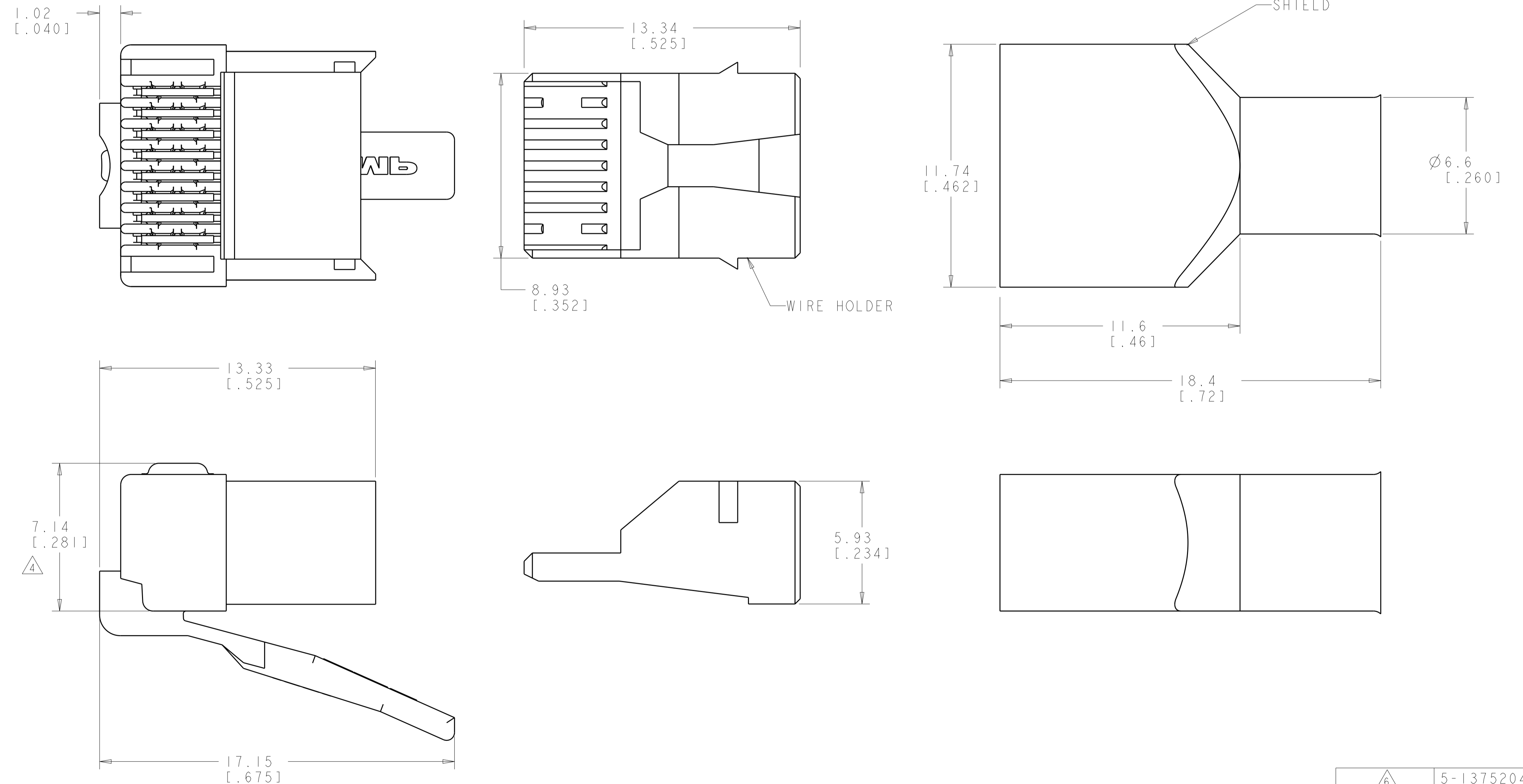
LOC		DIST		REVISIONS			
P	LTN	DESCRIPTION	DATE	DMN	APVD		
E	1	REVISED PER ECO-11-005027	14MAR2011	RK	HMR		
F	1	REVISED PER ECO-12-012703	03JUL2012	JB	JG		
G	1	REVISED PER ECO-13-015339	04OCT2013	JB	JG		
H	1	REV; ECO-14-011190	29JUL2014	GG	LS		

- ⚠ MATERIAL: HOUSING - 94V-0 RATED POLYCARBONATE CLEAR  
 TERMINAL - 0.36 [0.014] THICK PHOSPHOR BRONZE PLATED WITH .178 μm [0.00007] THICK GOLD IN LOCALIZED AREA, OVER .762 μm [0.00030] THICK PALLADIUM NICKEL IN LOCALIZED PLATE AREA OVER 2.54 μm [0.000100] THICK NICKEL ON ENTIRE CONTACT.  
 WIRE HOLDER - POLYCARBONATE CLEAR.  
 SHIELD - COPPER ALLOY WITH 1.27 μm [0.00050] MINIMUM SEMI-BRIGHT (SATIN) NICKEL.
- ② DIMENSIONS ARE NOMINAL UNLESS OTHERWISE SPECIFIED.
- 3. PLUG WILL ACCEPT A 23-24 AWG SOLID CONDUCTOR, PROVIDED THE INSULATION CONDUCTOR DIAMETER IS WITHIN .89 - 1.09 [.035 - .043]; WITH THE SUM OF DIAMETERS FOR ALL EIGHT CONDUCTORS WITHIN THE CABLE MUST NOT EXCEED 7.8MM [.31 IN]. CABLE JACKET DIAMETER OF 5.0 - 6.0MM [.20-.24 IN].
- ⚠ 4 TERMINATED DIMENSION 6.15 [.242] MAXIMUM.
- ⚠ 5 PACKAGE 1,000 ASSEMBLIES, 1,000 WIRE HOLDERS, AND 1,000 SHIELDS.
- ⚠ 6 PACKAGE 100 ASSEMBLIES, 100 WIRE HOLDERS, AND 100 SHIELDS.
- ⚠ 8 PACKAGE 500 ASSEMBLIES, 500 WIRE HOLDERS, AND 500 SHIELDS.



SCALE 4:1

10. UL RECOGNIZED: FILE NUMBER E81956.



⑥	5-1375204-3
⑧	5-1375204-2
⑤	5-1375204-1
PACKAGE	PART NO.

THIS DRAWING IS A CONTROLLED DOCUMENT.

DIMENSIONS: MM [INCHES]	TOLERANCES UNLESS OTHERWISE SPECIFIED:	DMN: L. HALL 30JUL2001	CHK: M. DELPHIAS 06AUG2001	APVD: M. DELPHIAS 06AUG2001	NAME: KIT, 8 POSN, MOD PLUG, SOLID WIRE, CAT 6
0 PLC ±	②	PRODUCT SPEC: 108-1990	APPLICATION SPEC: 114-13035	WEIGHT: -	SIZE: A1
1 PLC ±	①	RESTRICTED TO: -	Customer Drawing	SCALE: 8:1	SHEET: 1 OF 1
2 PLC ±					REV: H
3 PLC ±					
4 PLC ±					
ANGLES ±					
FINISH ±					

TE Connectivity