

THIS DRAWING IS UNPUBLISHED.

RELEASED FOR PUBLICATION

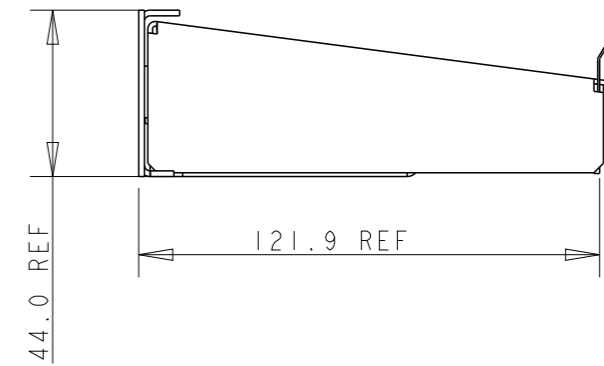
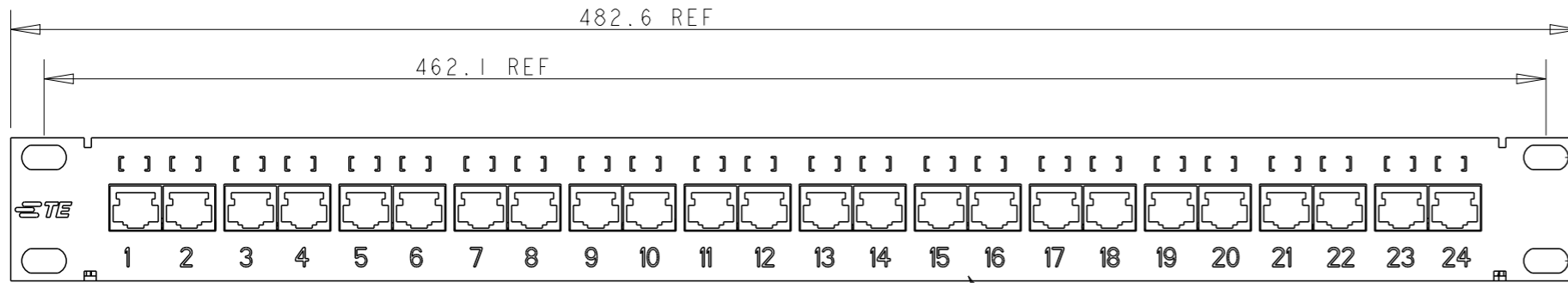
2012

© COPYRIGHT 2002 TE CONNECTIVITY AMP ESPAÑA S.L.U. ALL RIGHTS RESERVED.

LOC 1K DIST 2

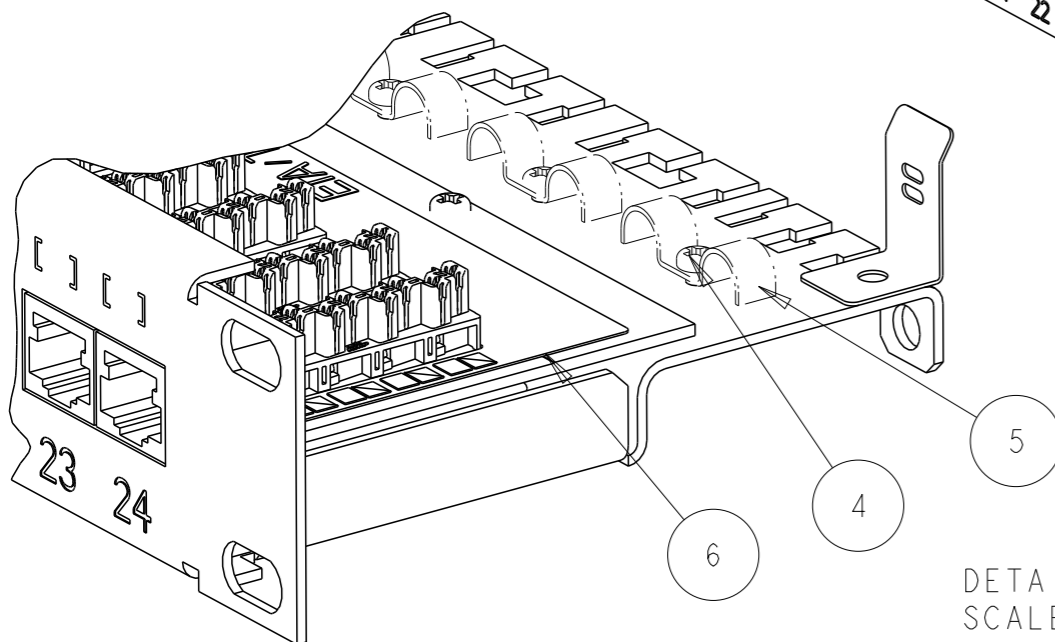
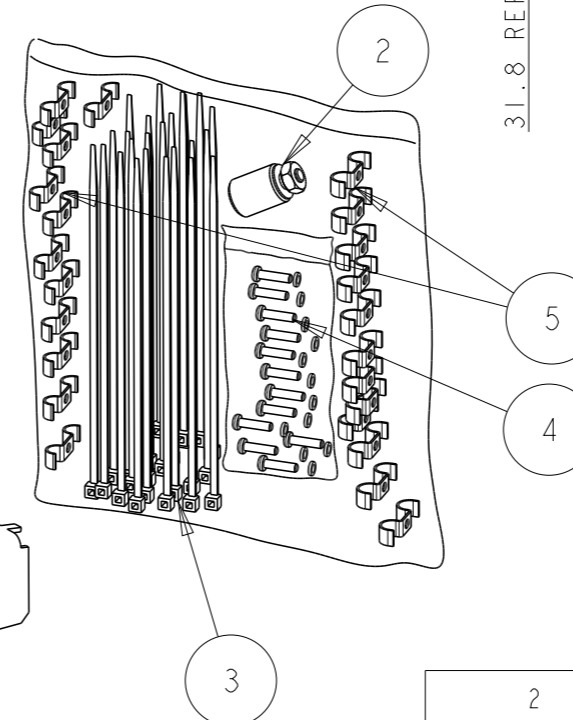
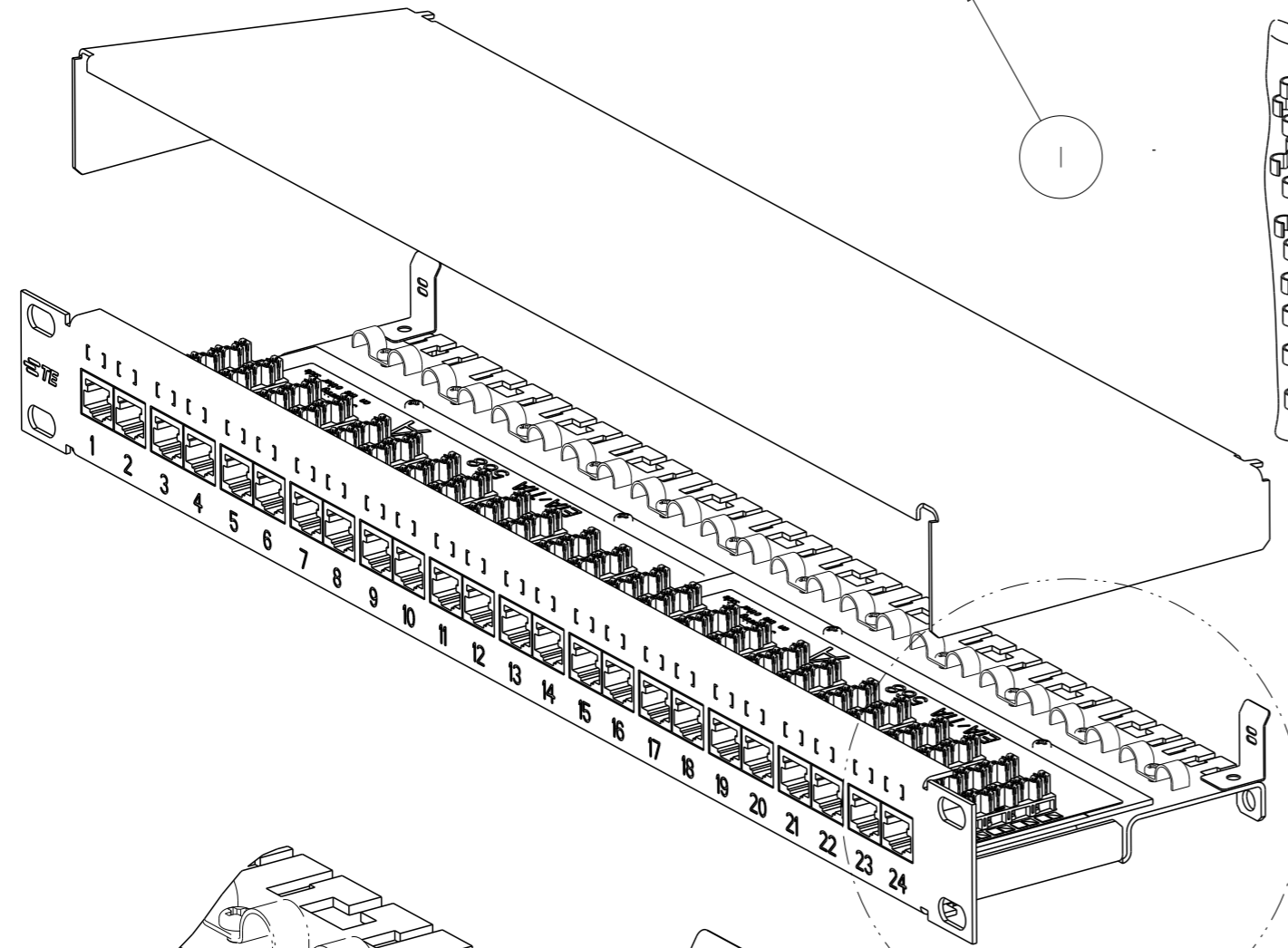
REVISIONS

P	LTR	DESCRIPTION	DATE	DWN	APVD
	F	ECR-12-018162	22OCT2012	RM	JS



1. PACKAGING:
 ONE BOX WITH ONE PANEL:
 PANEL PRE-ASSEMBLED INTO POLYBAG INCLUDING
 SCREW-SET AND APPLICATION SPEC.

2			COLOR CODE GUIDE LABEL	-	6
12+12			CABLE CLAMP	-	5
12			SCREW M3x12	-	4
24			CABLE TIE	-	3
1			GROUND CLAMP KIT	-	2
1	-	-	PATCH PANEL METAL FRAME	GREY RAL 7035	1
-	1	-		BLACK RAL 9005	
-	-	1		GREY RAL 7032	
-3	-2	-1	DESCRIPTION	NOTES	ITEM
QTY PER KIT					



DETAIL A
SCALE 1:1

THIS DRAWING IS A CONTROLLED DOCUMENT.

DIMENSIONS:	TOLERANCES UNLESS OTHERWISE SPECIFIED:
mm	
	0 PLC ±-
	1 PLC ±-
	2 PLC ±-
	3 PLC ±-
	4 PLC ±-
	ANGLES ±-
MATERIAL	FINISH

DWN	J. GATNAU	09-Dec-01
CHK	A. PUELL	09-Dec-01
APVD	J. SANABRA	05-Feb-02
PRODUCT SPEC	108-22138	
APPLICATION SPEC	114-22018	
WEIGHT	-	
Customer Drawing		

		TE Connectivity	
		NAME	
PATCH PANEL, CAT 5E		RESTRICTED TO	
24 PORTS		-	
SHIELDED		-	
SIZE	CAGE CODE	DRAWING NO	
A3	-	C-336671	
SCALE	SHEET	OF	REV
1:2	1	1	F