

THIS DRAWING IS UNPUBLISHED. RELEASED FOR PUBLICATION  
 © COPYRIGHT - By - ALL RIGHTS RESERVED.

LOC		DIST		REVISIONS			
ES	00	P	LTR	DESCRIPTION	DATE	DWN	APVD
		D		ECR-11-015983	02AUG2011	JC	AZ

- ONE CABLE ASSEMBLY PACKAGED IN A POLY BAG.
- CABLE: UNSHIELDED, 24AWG, 4 TWISTED PAIRS  
7/32 STRANDED CONDUCTORS, 100 OHMS.
- DIMENSIONS ARE MAXIMUM UNLESS OTHERWISE SPECIFIED.
- DESIGNATIONS IN PARENTHESES ( ) ARE FOR REFERENCE ONLY.
- WIRES TO BE LACED IN MOD PLUG PER COLOR CODE IN WIRING DIAGRAM. FINAL ASSEMBLY WILL BE T568B.
- USE SL BOOT 1859146-2 AND CM9614-000 LABEL FOR UL APPROVED CABLE ASSEMBLIES.

D

D

C

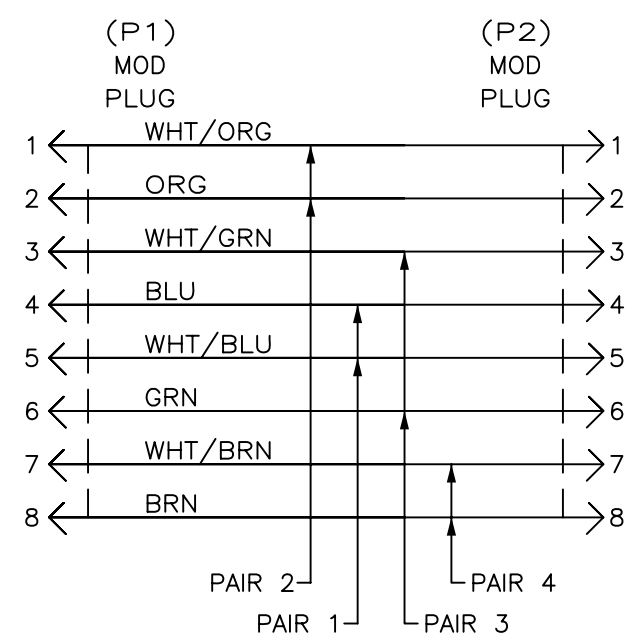
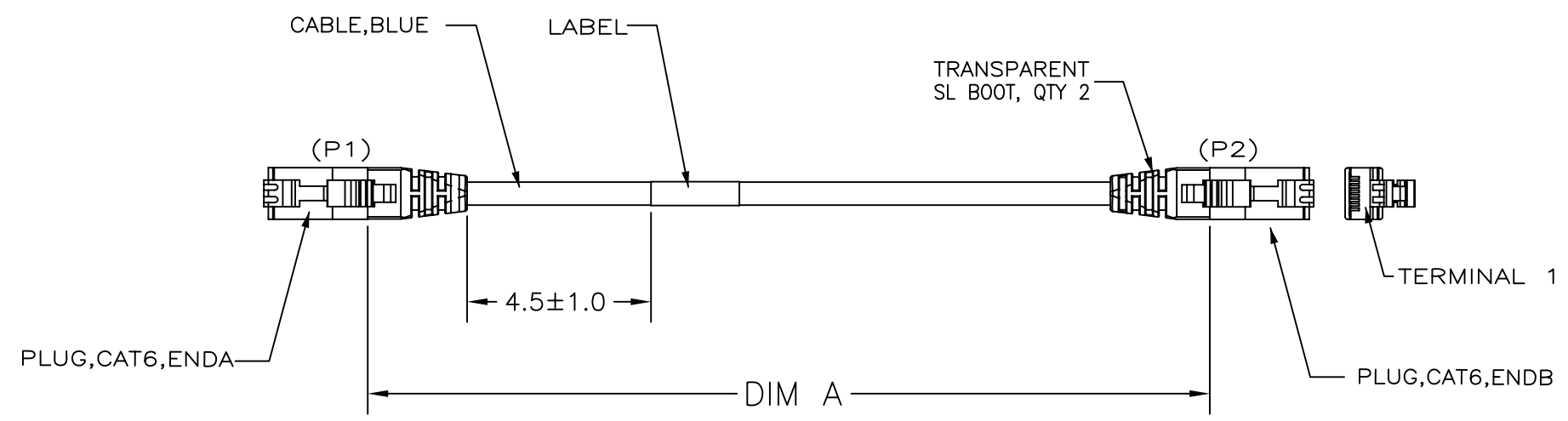
C

B

B

A

A



WIRING DIAGRAM  $\triangle$   
T568B

9-1859247-9	1200-1206	100
9-1859247-8	1680-1686	140
9-1859247-7	1980-1986	165
9-1859247-6	1560-1566	130
9-1859247-5	1140-1146	95
9-1859247-4	1380-1386	115
9-1859247-0	1080-1086	90
8-1859247-5	1020-1026	85
8-1859247-0	960-966	80
7-1859247-5	900-906	75
7-1859247-0	840-846	70
6-1859247-5	780-786	65
6-1859247-0	720-726	60
5-1859247-5	660-666	55
5-1859247-0	600-606	50
4-1859247-5	540-546	45
4-1859247-0	480-486	40
3-1859247-5	420-426	35
3-1859247-0	360-366	30
2-1859247-5	300-304	25
2-1859247-0	240-244	20
1-1859247-7	204-208	17
1-1859247-6	192-196	16
1-1859247-5	180-184	15
1-1859247-2	144-148	12
1-1859247-0	120-124	10
1859247-9	108-110	9
1859247-8	96-98	8
1859247-7	84-86	7
1859247-6	72-74	6
1859247-5	60-62	5
1859247-4	48-50	4
1859247-3	36-38	3
1859247-2	24-26	2
1859247-1	12-14	1
PART NO	DIM A	FEET, REF

THIS DRAWING IS A CONTROLLED DOCUMENT.		DWN	02AUG2011		 TE Connectivity
DIMENSIONS:		CHK	02AUG2011		
INCHES		APVD	02AUG2011		
		NAME	ADAM ZHU		
TOLERANCES UNLESS OTHERWISE SPECIFIED:		PRODUCT SPEC	-		CABLE ASSY, CAT6, MOD PLUG, 8 POSN, BLUE, TRANSPARENT SL BOOT
0 PLC ± -		APPLICATION SPEC	-		
1 PLC ± -		SIZE	A2		CAGE CODE 00779 DRAWING NO C-1859247
2 PLC ± -		WEIGHT	-		
3 PLC ± -		CUSTOMER DRAWING	-		RESTRICTED TO - SCALE - SHEET 1 of 1 REV D
4 PLC ± -		SCALE	-		
ANGLES ± -		SHEET	1 of 1		
FINISH -		REV	D		