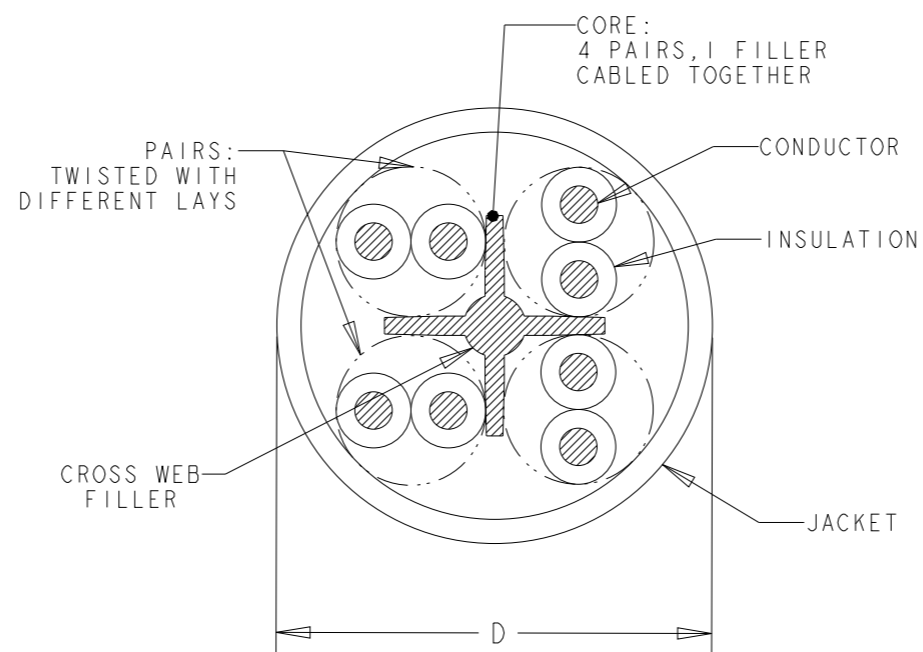


REVISIONS					
P	LTR	DESCRIPTION	DATE	DWN	APVD
	M	Added pn 7-219585-2 and ECR-14-009074	17Jun2014	LD	JS
	N	ECR-14-011293	24JUL2014	LD	JS
	P	ECR-15-004523	24MAR2015	LD	JS

FINISHED CABLE DATA		
CONDUCTORS	WIRE AWG	24 AWG Solid
	Ø RANGE in mm	0,485<=Ø<0,546
	MATERIAL	COPPER
	PLATING	BARE
ELONGATION	15% PER EN 50288-1	
INSULATION	MATERIAL	POLYETHYLENE
	OVERALL DIAMETER	0,95
DRAIN WIRE	WIRE AWG	-
	MATERIAL	-
	PLATING	-
	ELONGATION	-
BINDER	POLYESTER TAPE	OPTIONAL
INDIVIDUAL PAIR SCREEN	MATERIAL	-
OVERALL SHIELD	FOIL MATERIAL	-
	BRAID MATERIAL	-
OVERALL SHIELD	PLATING	-
	COVERAGE	-
	ELONGATION	-
JACKET	MATERIAL	LSZH
	OVERALL DIAMETER (D)	5,7 mm
PULLING FORCE	MAX.	90 N

- REFER TO PRODUCT SPEC 108-93018 FOR ADDITIONAL REQUIREMENTS.
- CABLE PRINT LEGEND:
CAT6 UTP SOLID PR04 LSZH CoO <manufacturing country>



ACTIVE	WHITE	305	REEL BOX	7-219585-2
OBSOLETE	WHITE	305	PULL BOX	6-219585-2
ACTIVE	WHITE	500	REEL	4-219585-1
	WHITE	1000	REEL	219585-3
	WHITE	305	REEL BOX	219585-2
	WHITE	305	REEL	219585-1
STATUS	COLOUR	LENGTH (METRES)	PACKAGE	PART NUMBER

THIS DRAWING IS A CONTROLLED DOCUMENT.		DWN	25Jul2014	 TE Connectivity	NAME CABLE, CAT6, UTP, SOLID, PR04, AWG24, LSZH
DIMENSIONS: mm		CHK	25Jul2014		
TOLERANCES UNLESS OTHERWISE SPECIFIED:		APVD	25Jul2014		
0 PLC ±- 1 PLC ±- 2 PLC ±- 3 PLC ±- 4 PLC ±- ANGLES ±-		PRODUCT SPEC	-		
MATERIAL	FINISH	APPLICATION SPEC	-	SIZE	A3
-	-	WEIGHT	-	CAGE CODE	-
-	-	Customer Drawing		DRAWING NO	©-219585
				RESTRICTED TO	-
				SCALE	NTS
				SHEET	1 OF 1
				REV	P