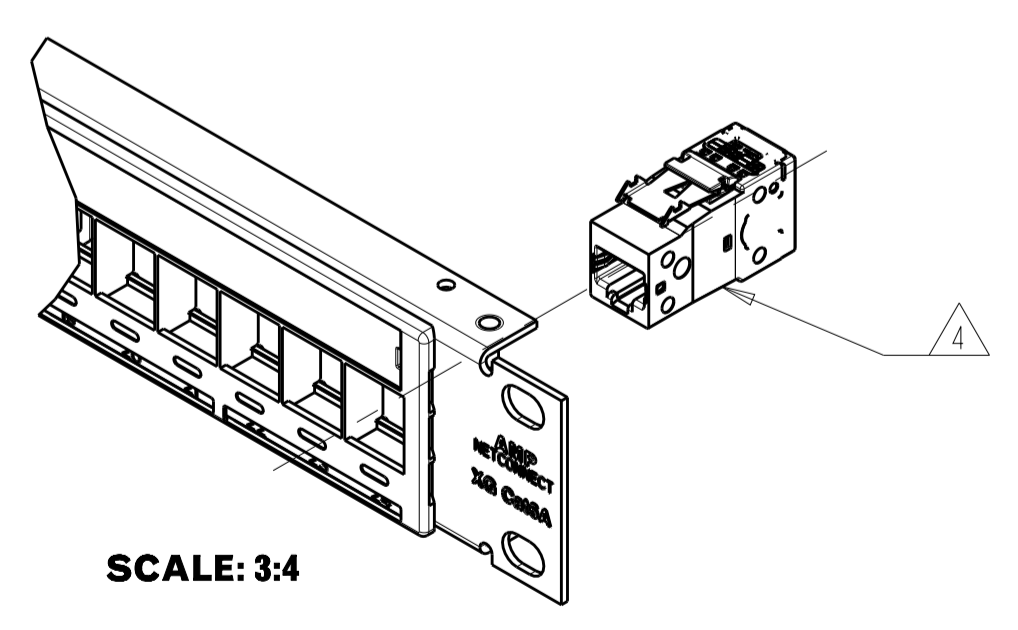
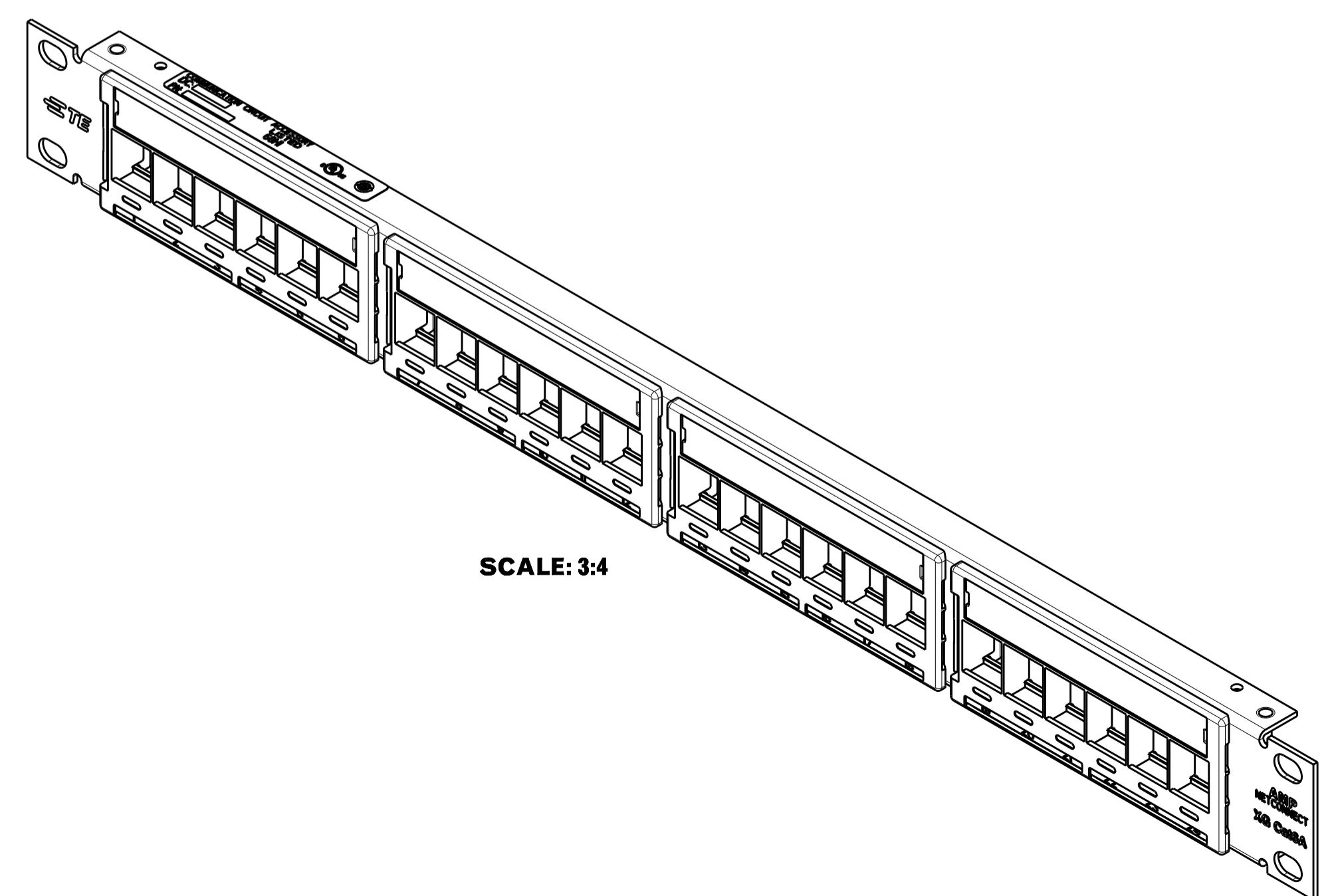
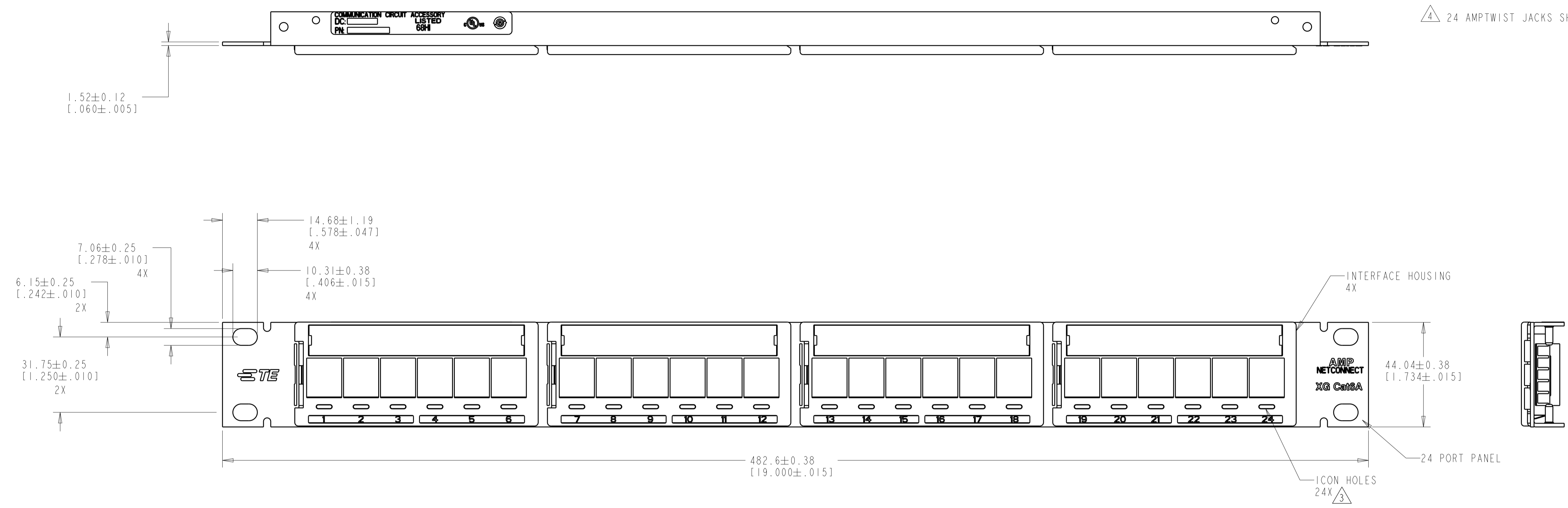


LOC	DIST	REVISIONS					
		P	LTN	DESCRIPTION	DATE	DWN	APVD
HM	00	F		REV; ECO-12-019914	13NOV2012	GG	SH

- △ MATERIAL:
INTERFACE: POLYESTER MOLDING COMPOUND, BLACK.
PANEL: BLACK POWDER COAT STEEL WITH WHITE MARKINGS.
- 2. MOUNTING HARDWARE INCLUDED EACH ASSEMBLY:
FOUR, 10-32 X.50 TRILOBULAR SCREWS W/ CAPTIVE STARWASHER.
FOUR, 12-24 X.50 TRILOBULAR SCREWS W/ CAPTIVE STARWASHER.
- △ 3 ICONS MAY BE PURCHASED SEPARATELY.
- △ 4 24 AMP TWIST JACKS SHIPPED LOOSE, WITH ASSEMBLY.



1933319-2
PART NO.

THIS DRAWING IS A CONTROLLED DOCUMENT.		DWN: J. MCNEAL 09APR2007	TE Connectivity
DIMENSIONS: MM [INCHES]		CHK: S. HERNDON 09APR2007	
TOLERANCES UNLESS OTHERWISE SPECIFIED:		APVD: S. HERNDON 09APR2007	
0 PLC ± 1 PLC ± 2 PLC ± 3 PLC ± 4 PLC ± ANGLES ±		NAME: ASSY, SHIELDED HSG, 1U, 24P, XG, FLAT	
MATERIAL: △	FINISH: △	WEIGHT: -	RESTRICTED TO: -
Customer Drawing		SIZE: A1	CAGE CODE: 00779
		DRAWING NO: 1933319	SCALE: 1:1
		SHEET: 1	REV: F