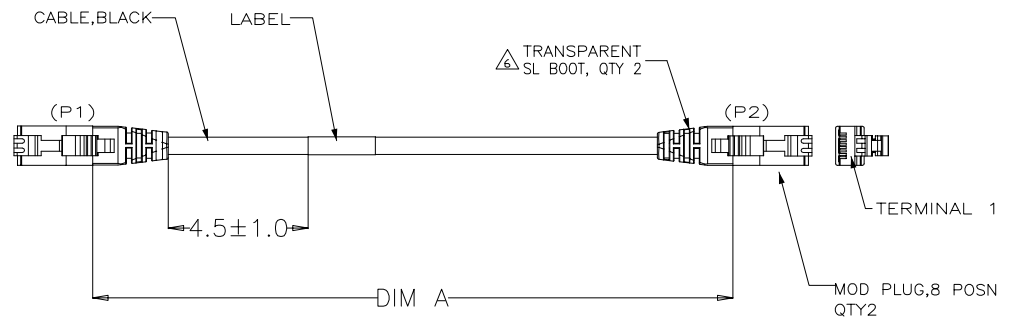
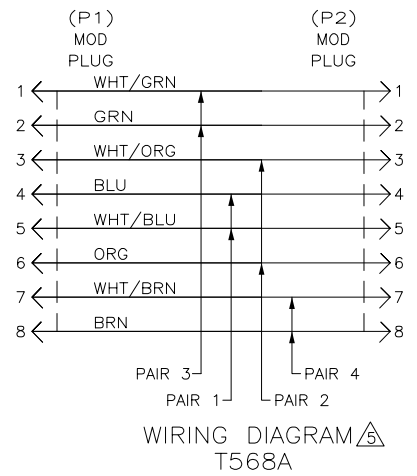


THIS DRAWING IS UNPUBLISHED. RELEASED FOR PUBLICATION
 © COPYRIGHT ALL RIGHTS RESERVED.

LOC	DIST	REVISIONS			
P	LTR	DESCRIPTION	DATE	DN	APVD
ES	00				
	C	ECR-14-017973	04DEC2014	RL	WF



- ONE CABLE ASSEMBLY PACKAGED IN A POLY BAG.
- CABLE: UNSHIELDED, 24AWG, 4 TWISTED PAIRS 7/32 STRANDED CONDUCTORS, 100 OHMS.
- \triangle DIMENSIONS ARE MAXIMUM UNLESS OTHERWISE SPECIFIED.
- DESIGNATIONS IN PARENTHESES () ARE FOR REFERENCE ONLY.
- \triangle WIRES TO BE LACED IN MOD PLUG PER COLOR CODE IN WIRING DIAGRAM. FINAL ASSEMBLY WILL BE T568A.
- \triangle USE SL BOOT 1859146-2 AND CM9614-000 LABEL FOR UL APPROVED CABLE ASSEMBLIES.



100	1206	9-1859244-9
95	1146	9-1859244-5
90	1086	9-1859244-0
85	1026	8-1859244-5
80	966	8-1859244-0
75	906	7-1859244-5
70	846	7-1859244-0
65	786	6-1859244-5
60	726	6-1859244-0
55	666	5-1859244-5
50	606	5-1859244-0
45	546	4-1859244-5
40	486	4-1859244-0
35	426	3-1859244-5
30	366	3-1859244-0
25	304	2-1859244-5
20	244	2-1859244-0
16	196	1-1859244-6
15	184	1-1859244-5
14	172	1-1859244-4
12	148	1-1859244-2
10	124	1-1859244-0
9	110	1859244-9
8	98	1859244-8
7	86	1859244-7
6	74	1859244-6
5	62	1859244-5
4	50	1859244-4
3	38	1859244-3
2	26	1859244-2
1	14	1859244-1
FEET,REF	DIM A	PART NO

THIS DRAWING IS A CONTROLLED DOCUMENT. DWN ROY LI 04DEC2014
 CHK FIGHTER ZHANG 04DEC2014
 APVD WAYNE FAN 04DEC2014

STE TE Connectivity

NAME: CABLE ASSY, CAT5E, MOD PLUG, 8 POSN, BLACK, TRANSPARENT SL BOOT

SIZE: A2 CAGE CODE: 00779 DRAWING NO: 1859244

MATERIAL: - FINISH: - WEIGHT: - APPLICATION SPEC: - RESTRICTED TO: -

CUSTOMER DRAWING SCALE: - SHEET: 1 of 1 REV: D