

4

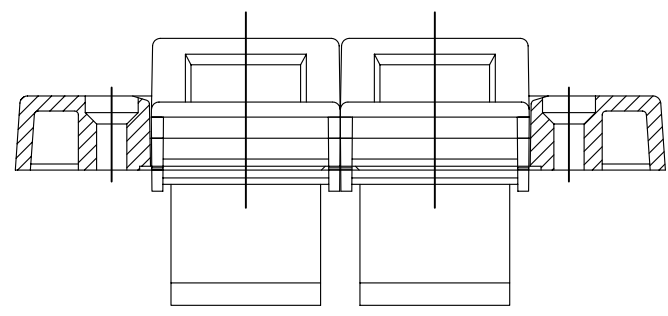
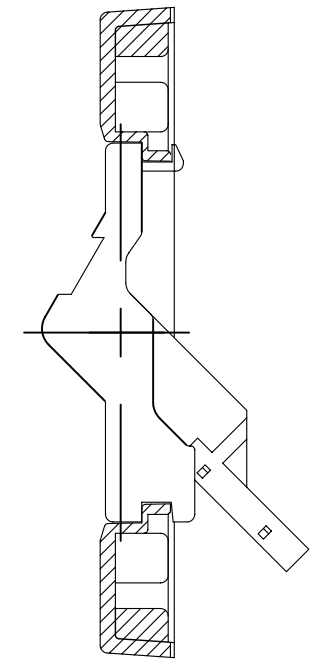
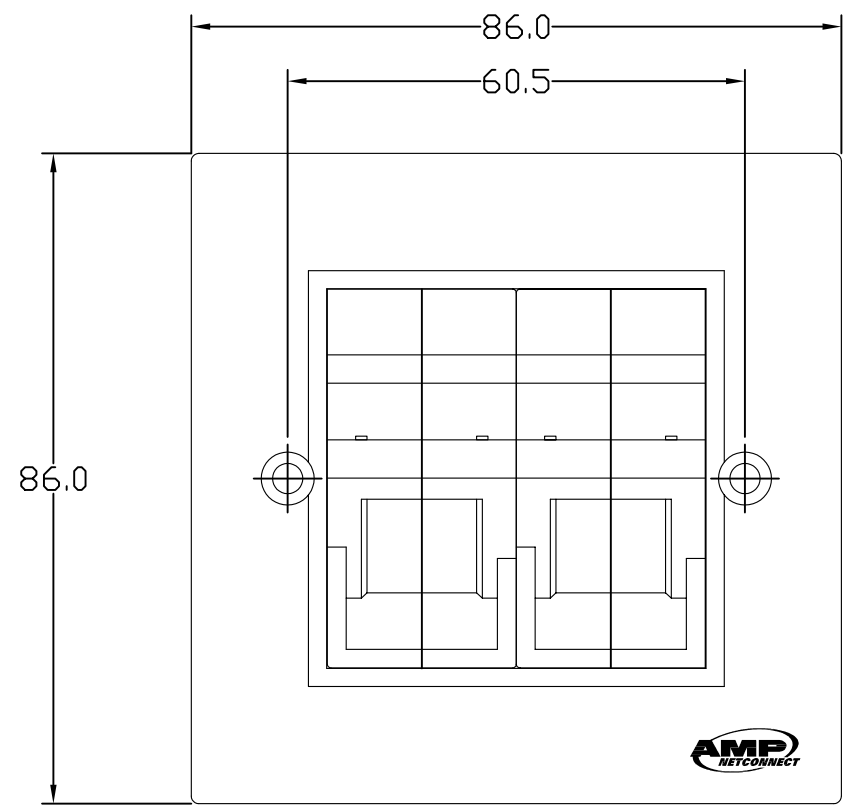
3

2

1

THIS DRAWING IS UNPUBLISHED. RELEASED FOR PUBLICATION
 © COPYRIGHT BY TYCO ELECTRONICS CORPORATION. ALL RIGHTS RESERVED.

LOC	DIST	REVISIONS					
		P	LTR	DESCRIPTION	DATE	DWN	APVD
ES	—		A	ECR-06-021405	11SEP06	RC	EW



NOTE:

- FACEPLATE KIT CONSIST OF THE FOLLOWING ITEM:
 FACEPLATE ASSEMBLED WITH JACK HOLDER ANGLED AND SPRING SHUTTER ASSEMBLES — 1 PC
 SCREW,PAN HEAD, M3.5x0.35x25mm, GB819-85 — 2 PCS
 LABEL COVER — 2 PCS
 SCREW COVER — 2 PCS
- SCREW COVER AND LABEL COVER ARE PACKED IN A BAG

WHITE	1859082-1
COLOR	PART NUMBER

THIS DRAWING IS A CONTROLLED DOCUMENT.		DWN RICKY CHEN 11SEP2006	Tyco Electronics Corporation Raychem, Shanghai													
DIMENSIONS: mm		CHK RICKY CHEN 11SEP2006														
TOLERANCES UNLESS OTHERWISE SPECIFIED:		APVD ERIC WANG 11SEP2006	NAME FACEPLATE KIT,BS SHUTTERED ANGLED,2 PORTS													
<table border="0"> <tr><td>0 PLC</td><td>± 0.5</td></tr> <tr><td>1 PLC</td><td>± 0.2</td></tr> <tr><td>2 PLC</td><td>± 0.1</td></tr> <tr><td>3 PLC</td><td>± -</td></tr> <tr><td>4 PLC</td><td>± -</td></tr> <tr><td>ANGLES</td><td>± -</td></tr> </table>		0 PLC	± 0.5	1 PLC	± 0.2	2 PLC	± 0.1	3 PLC	± -	4 PLC	± -	ANGLES	± -	PRODUCT SPEC —	—	
0 PLC	± 0.5															
1 PLC	± 0.2															
2 PLC	± 0.1															
3 PLC	± -															
4 PLC	± -															
ANGLES	± -															
MATERIAL —		FINISH —	APPLICATION SPEC —	RESTRICTED TO —												
		WEIGHT —	SIZE A3	CAGE CODE 00779												
		DRAWING NO C-1859082		REVISION A												
		CUSTOMER DRAWING		SCALE 1:1												
		SHEET 1 OF 1		REV A												