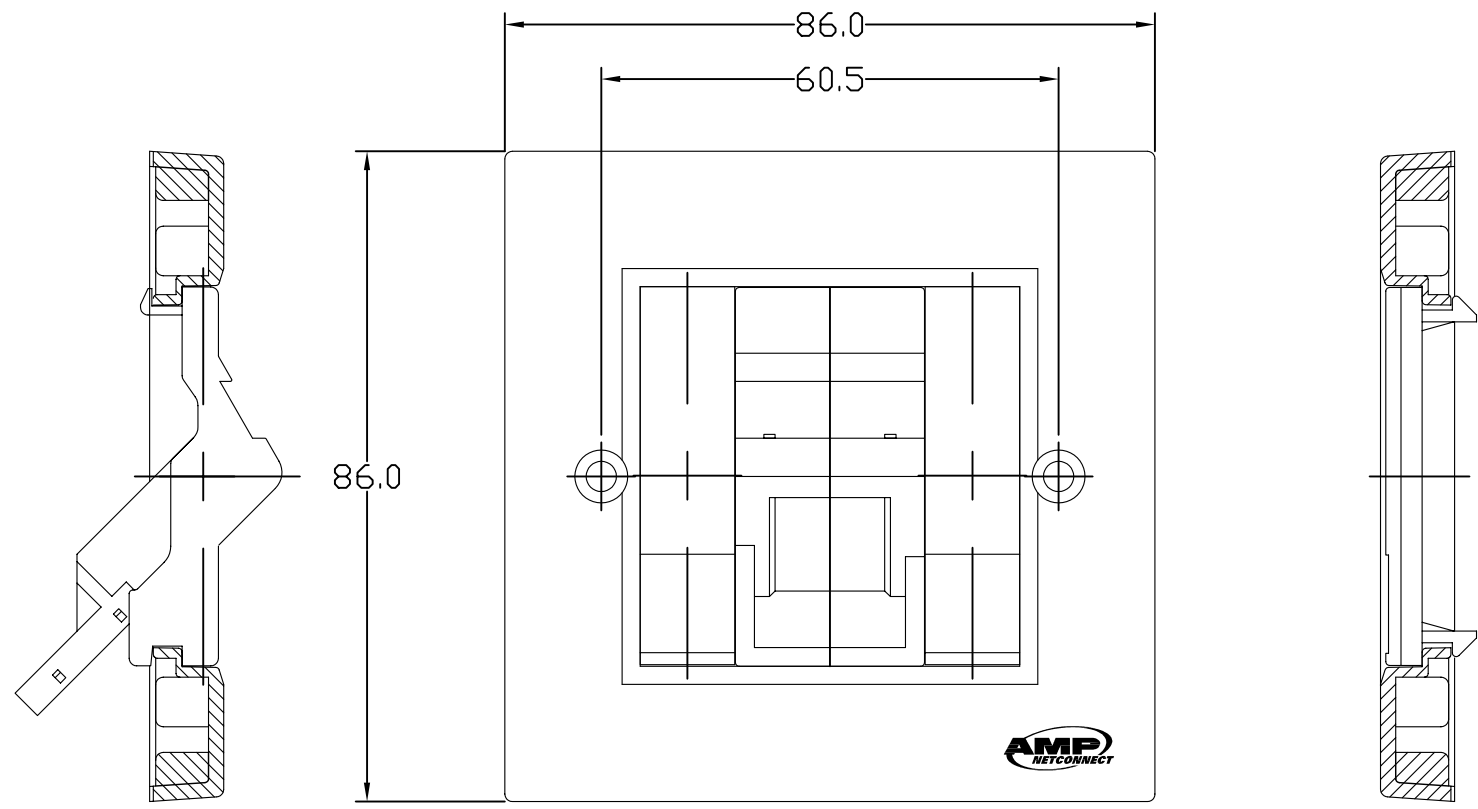


LOC	DIST	REVISIONS			
P	LTR	DESCRIPTION	DATE	DWN	APVD
ES	—	A	ECR-06-021405	11SEP06	RC EW



- NOTE:
- FACEPLATE KIT CONSIST OF THE FOLLOWING ITEM:  
 FACEPLATE ASSEMBLED WITH JACK HOLDER ANGLED AND SPRING SHUTTER ASSEMBLES — 1 PC  
 SCREW,PAN HEAD, M3.5x0.35x25mm, GB819-85 — 2 PCS  
 LABEL COVER — 1 PC  
 SCREW COVER — 2 PCS
  - SCREW COVER AND LABEL COVER ARE PACKED IN A BAG

WHITE	1859081-1
COLOR	PART NUMBER

THIS DRAWING IS A CONTROLLED DOCUMENT.		DWN RICKY CHEN 11SEP2006	Tyco Electronics Corporation Raychem, Shanghai														
DIMENSIONS: mm		CHK RICKY CHEN 11SEP2006															
TOLERANCES UNLESS OTHERWISE SPECIFIED:		APVD ERIC WANG 11SEP2006	NAME FACEPLATE KIT,BS SHUTTERED ANGLED,1 PORT														
<table border="0"> <tr> <td>0 PLC</td> <td>± 0.5</td> </tr> <tr> <td>1 PLC</td> <td>± 0.2</td> </tr> <tr> <td>2 PLC</td> <td>± 0.1</td> </tr> <tr> <td>3 PLC</td> <td>± -</td> </tr> <tr> <td>4 PLC</td> <td>± -</td> </tr> <tr> <td>ANGLES</td> <td>± -</td> </tr> </table>		0 PLC	± 0.5	1 PLC	± 0.2	2 PLC	± 0.1	3 PLC	± -	4 PLC	± -	ANGLES	± -	PRODUCT SPEC —	—		
0 PLC	± 0.5																
1 PLC	± 0.2																
2 PLC	± 0.1																
3 PLC	± -																
4 PLC	± -																
ANGLES	± -																
MATERIAL —		FINISH —	APPLICATION SPEC —	SIZE A3	CAGE CODE 00779												
		WEIGHT —	DRAWING NO C-1859081		RESTRICTED TO —												
CUSTOMER DRAWING			SCALE 1:1	SHEET 1 OF 1	REV A												