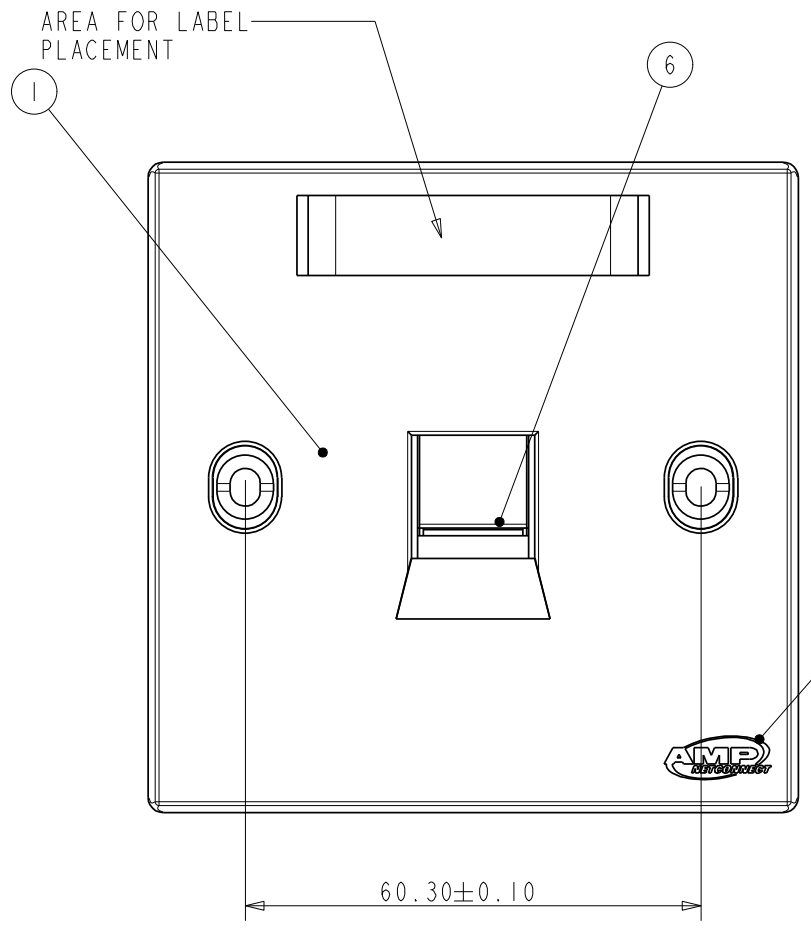
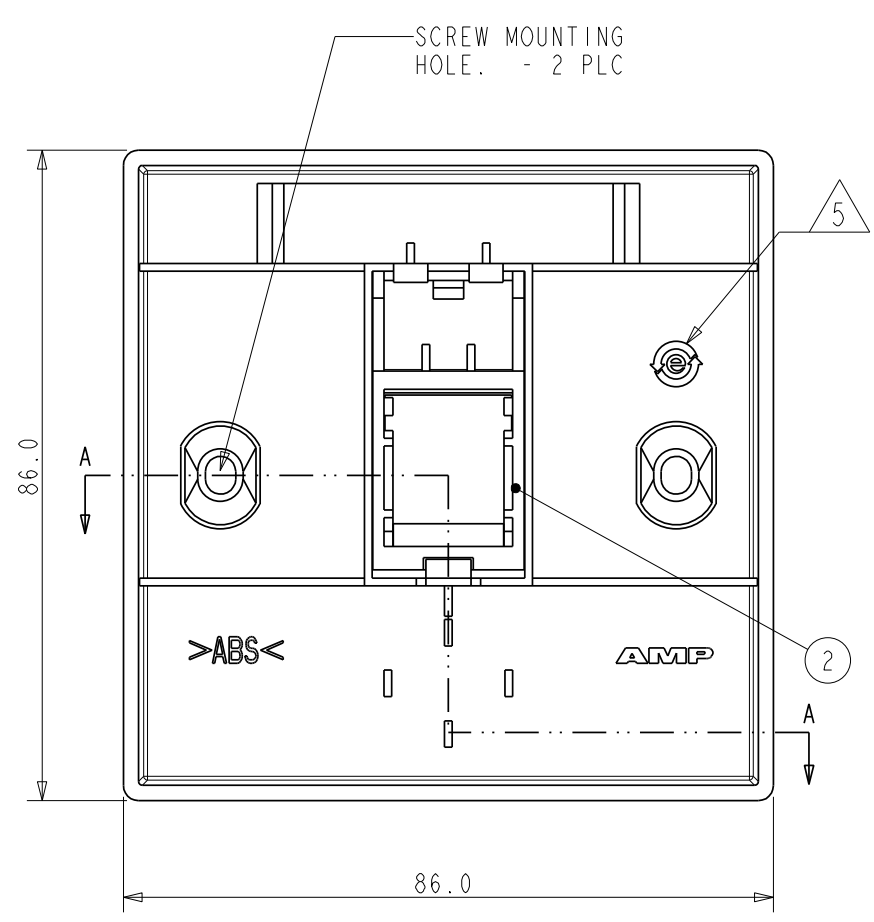


THIS DRAWING IS UNPUBLISHED. RELEASED FOR PUBLICATION 20
 © COPYRIGHT 20 BY TYCO ELECTRONICS CORPORATION. ALL RIGHTS RESERVED.

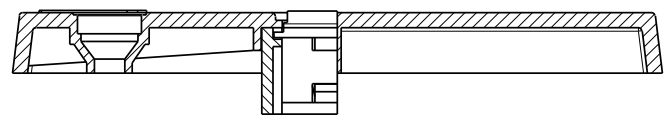
LOC	DIST	REVISIONS			
P	LTR	DESCRIPTION	DATE	DWN	APVD
ES	00				
	0	RELEASED	28DEC2005	EW	EW
	A	ECR-07-011399	21MAY2007	SM	EW



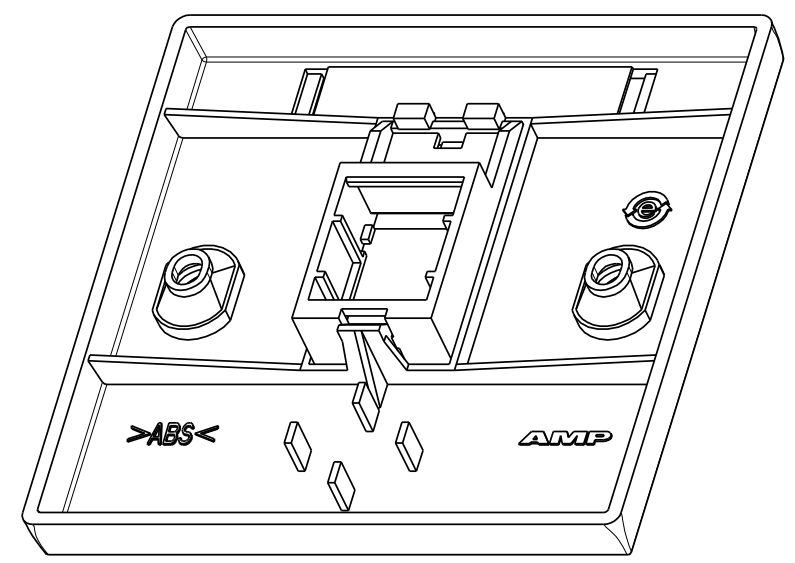
FACEPLATE FRONT VIEW

- FACEPLATE KIT 1859049-1(WHITE) CONSIST OF THE FOLLOWING ITEM:
 FACEPLATE ASSEMBLED WITH JACK HOLDER AND SPRING SHUTTER ASSEMBLIES - 1 PC
 SCREW COVER - 2 PCS
 SCREW, PAN HEAD, M3.5 x 0.35 X 25mm - 2 PCS
 LABEL COVER - 1 PCS
- SCREWS, SCREW COVERS AND LABEL COVER ARE PACKED SEPARATELY IN A BAG

- △3 ITEMS NO. 3, 4, 5 AND 7 NOT SHOWN IN DRAWING
- △4 AMP NETCONNECT LOGO ARTWORK AS PER 2-15944-9.
- △5 CHINA E-LOGO ADDED ON THE BACK SURFACE.



SECTION A-A



ITEM NO	COMPONENT	MATERIAL
7	SHUTTER SPRING	STEEL, STAINLESS
6	SHUTTER	ABS UL94V-0 + UV
5	SCREW, M3.5x0.35x25mm, GB819-85	BRASS, NICKEL PLT
4	SCREW COVER	ABS UL94V-0 + UV
3	LABEL COVER	ACRYLIC UL94V-0
2	JACK HOLDER	ABS UL94V-0 + UV
1	FACEPLATE	ABS UL94V-0 + UV

<small>THIS DRAWING IS A CONTROLLED DOCUMENT FOR TYCO ELECTRONICS CORPORATION IT IS SUBJECT TO CHANGE AND THE CONTROLLING ENGINEERING ORGANIZATION SHOULD BE CONTACTED FOR THE LATEST REVISION.</small>		DWN E. WANG 28DEC2005 CHK - APVD E. WANG 28DEC2005 PRODUCT SPEC 108-67002 APPLICATION SPEC 408-67002 WEIGHT -	tyco Electronics Tyco Electronics Corporation Raychem Shanghai
DIMENSIONS: mm 	TOLERANCES UNLESS OTHERWISE SPECIFIED: 0 PLC ±0.5 1 PLC ±0.2 2 PLC ±0.1 3 PLC ± 4 PLC ± ANGLES ± FINISH -	NAME: FACEPLATE KIT, SINGLE PORT, 110 CONNECT, B.S. STYLE SIZE: A3 CAGE CODE: 00779 DRAWING NO: 1859049	RESTRICTED TO: - SCALE: : SHEET: OF REV: A
MATERIAL: SEE TABLE		CUSTOMER DRAWING	