

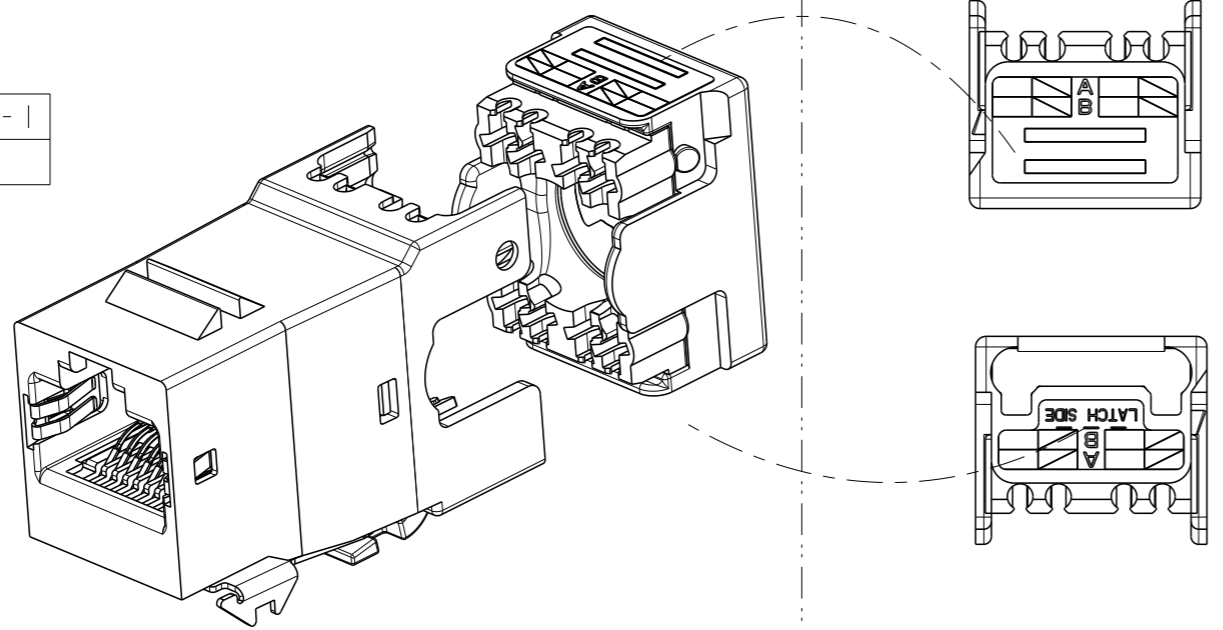
108-93044	1711342-2
108-93003	1711342-1
PRODUCT SPEC.	PN-DASH

COLOUR CODING / LABELS:

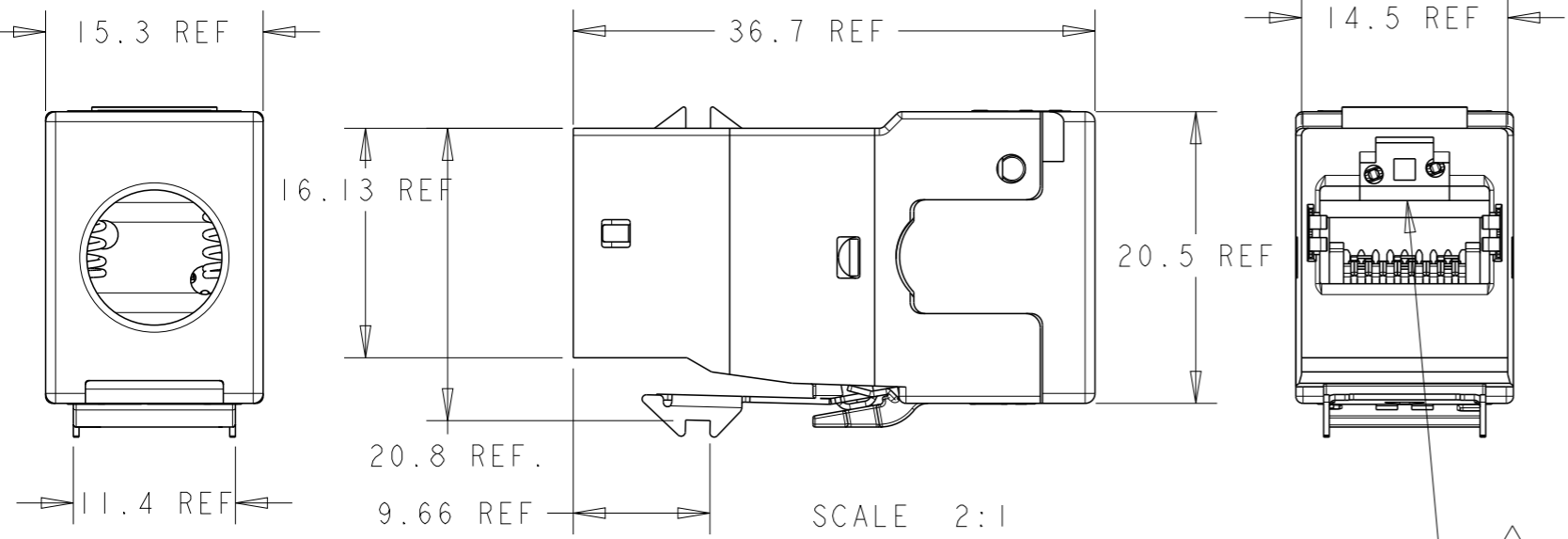
AS SHOWN	1711342-1
COMMENTS	PN



GENERAL VIEW



SCALE 2:1



SCALE 2:1



MATERIAL:

- FRONT AND REAR HOUSING, CABLE CLAMP: ZAMAK 5. (Z410).
- IDC CONNECT BLOCK, DUST COVER AND LACING FIXTURE: POLYCARBONATE NATURAL.
- CUTTING BLADE, SPRINGS, SHIELD CONTACT POINT AND LATCH: STAINLESS STEEL.
- JACK CONTACTS: BERYLLIUM COPPER, PLATED WITH 1.27 µm MINIMUM THICK GOLD IN LOCALIZED AREA AND 3.81 µm MINIMUM THICK MATTE TIN IN SOLDER AREA OVER 1.27 µm MINIMUM THICK NICKEL UNDERPLATE.
- IDC TERMINALS: PHOSPHOROUS BRONZE, PLATED WITH 3.81 µm MINIMUM THICK BRIGHT MATTE TIN OVER 1.27 MINIMUM THICK NICKEL UNDERPLATE.



CAVITY ACCORDING TO IEC 60603-7-5 Ed. 1.0



THESE TWO SUGGESTED CUTOUT OPENINGS ARE USED IN TANDEM WITH DUAL FRONT AND BACK CUTOUTS.



PACKAGING: ACCORDING TO SPEC. 107-93003.

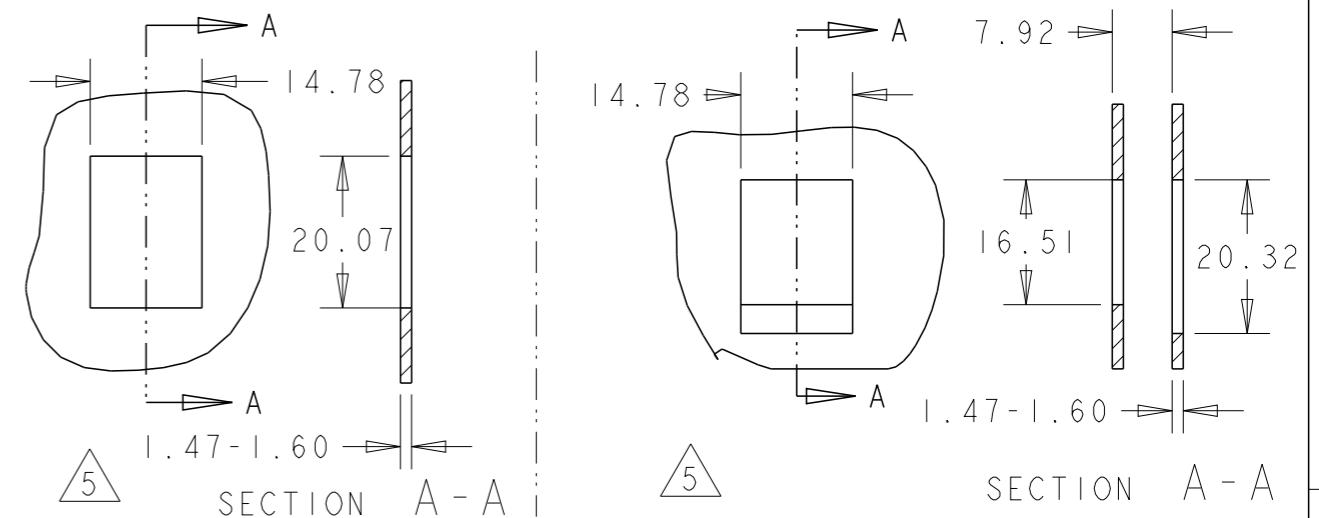


REFER TO 411-93007 FOR TERMINATION INSTRUCTIONS USING SL SERIES TOOL TERMINATION: SL SERIES JACK TOOL PN 1725150-3.

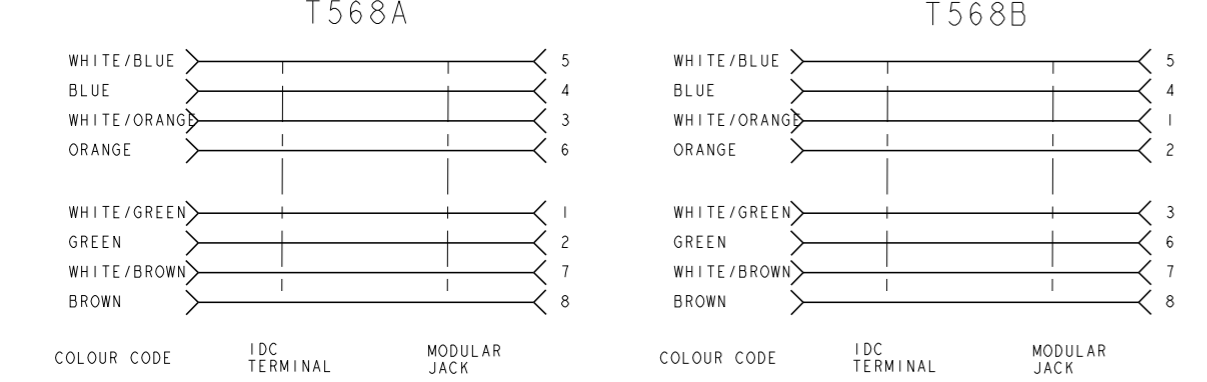


DIMENSIONS SHOWN ARE FOR REFERENCE ONLY.

SUGGESTED CUTOUT: SINGLE AND FLUSH-MOUNT APPLICATION



ELECTRICAL SCHEMATIC: WIRING T568 A/B



THIS DRAWING IS A CONTROLLED DOCUMENT.

DIMENSIONS:	TOLERANCES UNLESS OTHERWISE SPECIFIED:
mm	0 PLC ± 1 PLC ± 2 PLC ± 3 PLC ± 4 PLC ± ANGLES ±
MATERIAL	FINISH
-	-

DWN	25JUL2005
CHK	A. CARRERAS
APVD	L. de DIOS
PRODUCT SPEC	J. SANABRA
108-93003	
APPLICATION SPEC	
411-93007	
WEIGHT	-
Customer Drawing	

		TE Connectivity	
		NAME	
AMP-TWIST 6S SL JACK		RESTRICTED TO	
REAR CABLE EXIT		SIZE	CAGE CODE
W/O DUST COVER		A3	-
DRAWING NO		DRAWING NO	
C-1711342		C-1711342	
SCALE	SHEET	OF	REV
1:1	1	1	D3